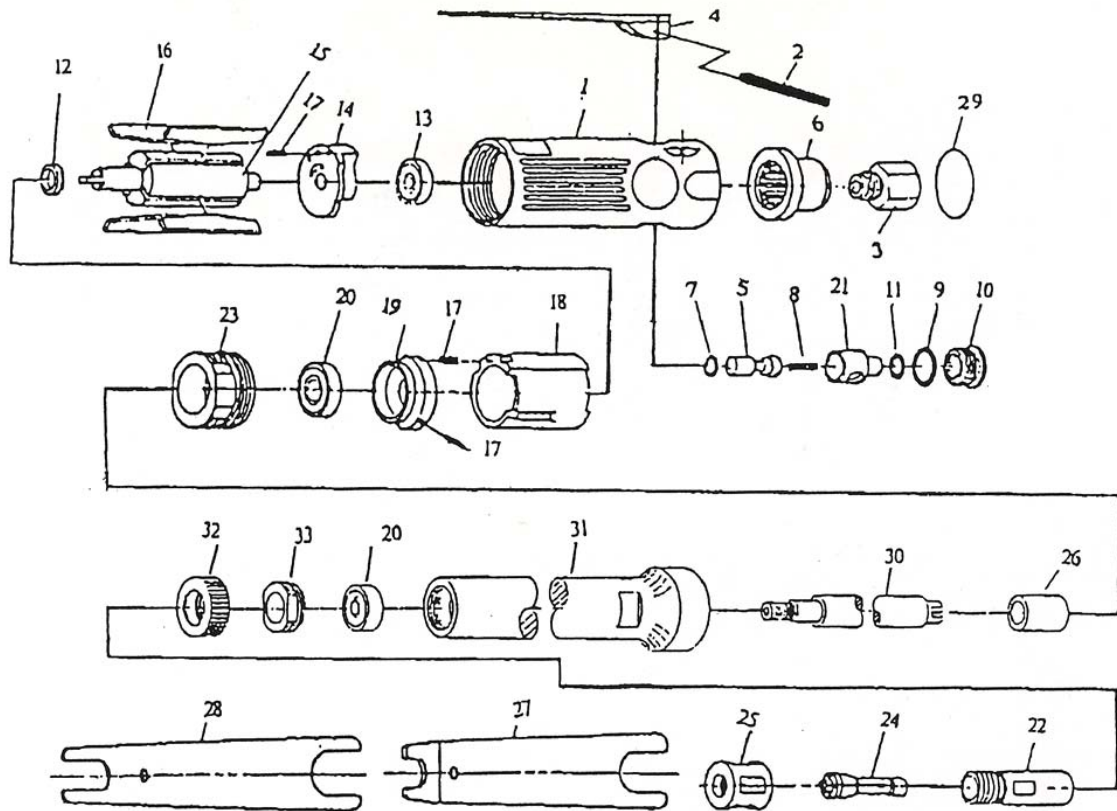


GP-0511A EXTENSION DIE GRINDER

www.air-allied.com.au



<u>PARTS NO.</u>	<u>DESCRIPTION</u>	<u>PARTS NO.</u>	<u>DESCRIPTION</u>
01.	MOTOR HOUSING	19.	FRONT END PLATE
02.	LEVER PIN	20.	BALL BEARING(2)
03.	AIR INLET	21.	AIR REGULATOR
04A.	THROTTLE LEVER	22.	SPINDLE
04B.	SAFETY LEVER SWITCH	23.	RETAINER
05.	VALVE STEM	24-1	1/8" COLLET
06.	EXHAUST DEFLECTOR	24-2	1/4" COLLET
07.	"O"RING	24-3	3mm COLLET
08.	VALVE SPRING	24-4	6mm COLLET
09.	"O"RING	25.	COLLET NUT
10.	THROTTLE VALVE PLUG	26.	COUPLING
11.	"O"RING	27.	ANGLE SPANNER
12.	ROTOR BUSH	28.	DOUBLE SPANNER
13.	BALL BEARING	29.	RETAINER RING
14.	REAR END PLAT	30.	EXTENSION BAR
15.	ROTOR	31.	EXTENSION HOUSING
16.	ROTOR BLADES (4)	32.	CAP
17.	PIN (3)	33.	RETAINER
18.	CYLINDER		